

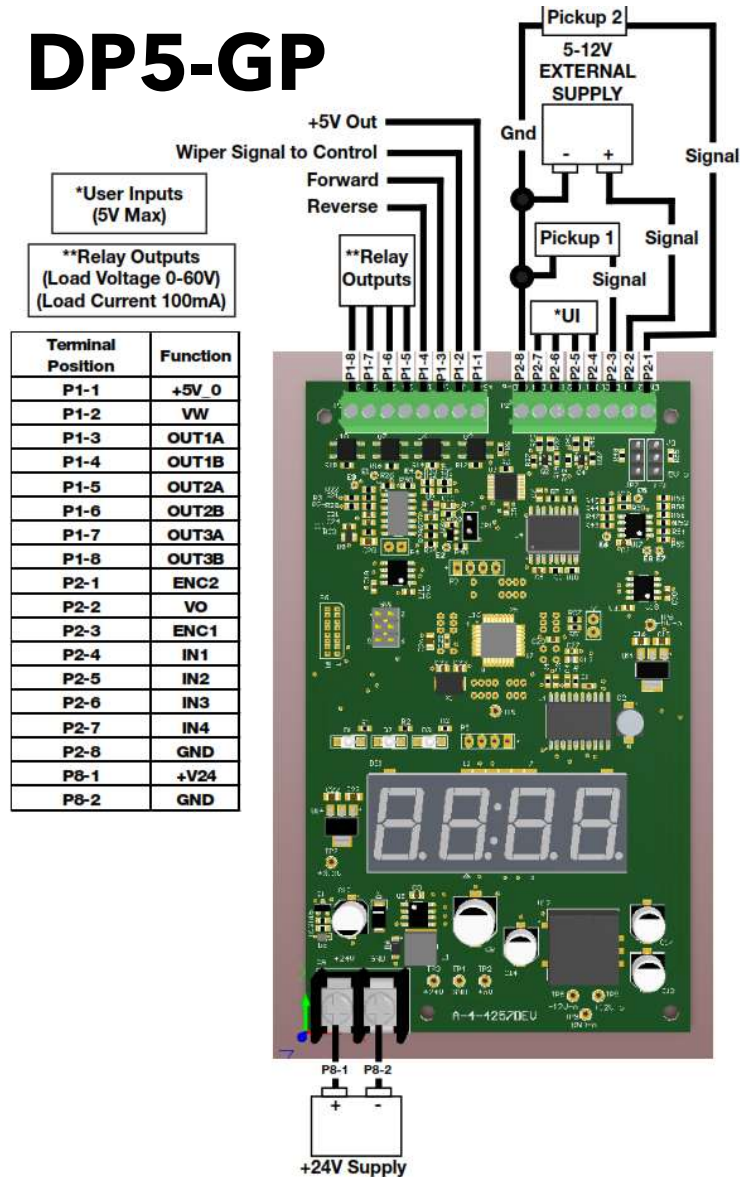
DP5 DIGITAL POTENTIOMETER



APPLICATION NOTE - CUSTOM APPLICATIONS



DP5-GP



The Dart DP5 can be so much more than just a Digital Potentiometer. There are four each digital User Inputs (UI) and digital Relay Outputs. This creates the opportunity for the DP5 to execute logic, timing and sequencing scenarios, potentially eliminating other components in the OEM panel.

Even more exciting is the potential for custom applications we have yet to explore. OEMs will have individual control needs that the DP5 could be modified to incorporate and satisfy. The benefits are many:

- Panel space savings
- Assembly labor savings
- Fewer connectors and less wiring

Technology has advanced to the point where entire BLDC motor controls and Programmable Logic Controllers (PLCs) can be supplied on a single chip. These advances provide almost limitless options to add this functionality to the HMI portion of the DP5, making it a powerful building block for the OEM.

<https://www.dartcontrols.com/dp5-oem-digital-potentiometer/>